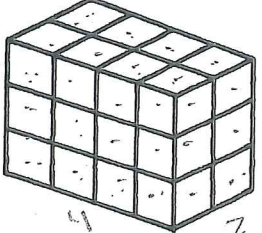


Key

Mystery: What happened when a 6-year old, a 5-year old, a 4-year old, a 3-year old, and a 2-year old joined to form a basketball team?

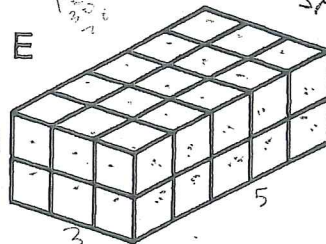
Find the volume of each prism in cubic units. Write the letter of the exercise in the box containing the answer.

H



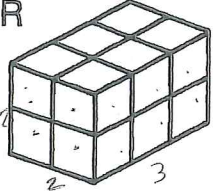
SA = 52 units^2
 Vol = 24 units^3

E



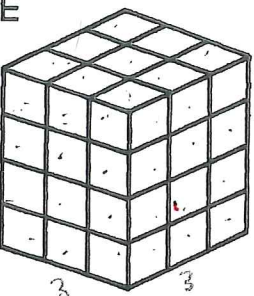
SA = 62 units^2
 Vol = 30 units^3

R



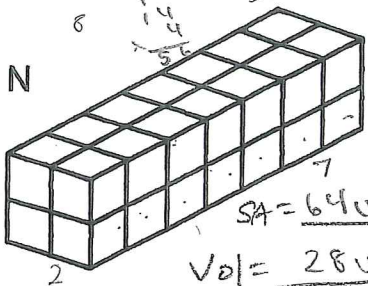
SA = 32 units^2
 Vol = 12 units^3

E



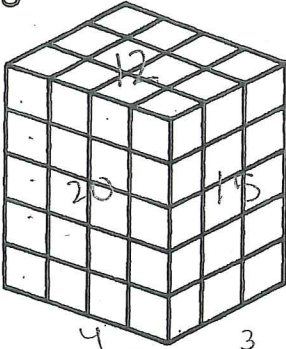
SA = 66 units^2
 Vol = 36 units^3

N



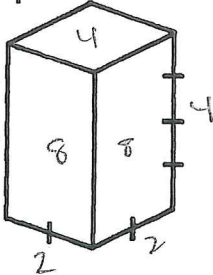
SA = 64 units^2
 Vol = 28 units^3

S



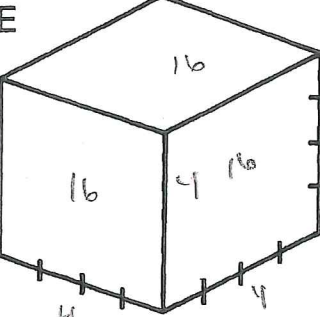
SA = 94 units^2
 Vol = 60 units^3

Y



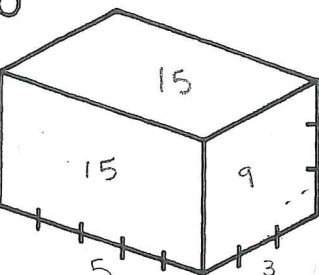
SA = 40 units^2
 Vol = 16 units^3

E



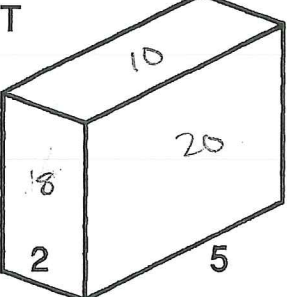
SA = 96 units^2
 Vol = 64 units^3

O



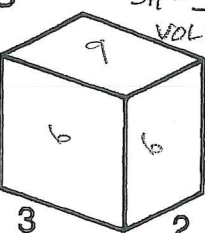
SA = 78 units^2
 Vol = 45 units^3

T



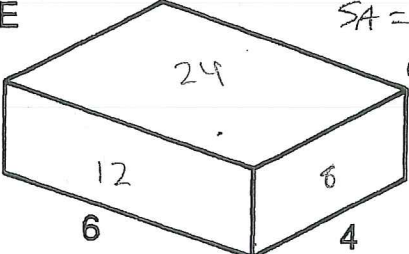
SA = 76 units^2
 Vol = 40 units^3

S



SA = 42 units^2
 Vol = 18 units^3

E



SA = 88 units^2
 Vol = 48 units^3

(L) $l=3; w=7; h=2$
 $2 \times 2 = 42$

(W) $l=4; w=3; h=6$
 $2 \times 6 = 72$

(E) $l=5; w=5; h=3$
 $2 \times 3 = 75$

40	24	36	16	32	72	64	12	48	80	45	28	75	42	30	60	18
T	H	E	Y		W	E	R	E		O	N	E	L	E	S	S